

# AquaLight® Underwater Light Owner's Manual

**IMPORTANT SAFETY INSTRUCTIONS**  
*READ AND FOLLOW ALL INSTRUCTIONS*  
**SAVE THESE INSTRUCTIONS**



## Table of Contents

SECTION I.	Installing Light Fixture During New Pool Construction .....	2
SECTION II.	Replacing Light Fixture in Existing Pool .....	3
SECTION III.	Replacing A Lamp Only .....	4
SECTION IV.	Replacement Parts .....	6
SECCIÓN I.	Instalación del accesorio para lámpara durante la construcción de una nueva piscina .....	10
SECTION I.	Installation du dispositif d'éclairage pendant la construction d'une nouvelle piscine .....	18

### **DANGER**



#### **Risk of Electrical Shock or Electrocutation.**

This underwater light must be installed by a licensed or certified electrician in accordance with the National Electrical Code and all applicable local codes and ordinances. Improper installation will create an electrical hazard which could result in death or serious injury to pool users, installer, or others due to electrical shock, and may also cause damage to property. Read and follow the specific instructions below.

### **WARNING**

Before installing this product, read and follow all warning notices and instructions accompanying this light. Failure to follow safety warnings and instructions can result in severe injury, death, or property damage. Call (800) 831-7133 – USA, for additional free copies of these instructions.

### **Important Notice**



#### **Attention Installer.**

This manual contains important information about the installation, operation and safe use of this product. This information should be given to the owner/operator of this equipment.

#### **Pentair Water Pool and Spa, Inc.**

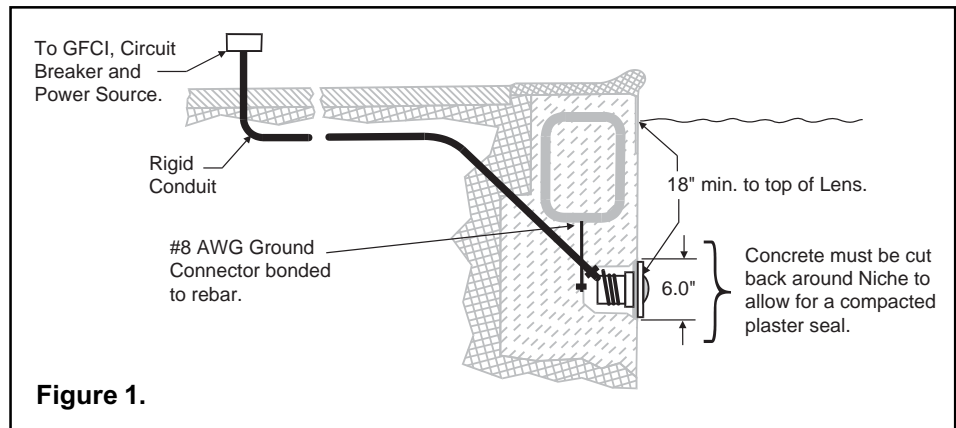
1620 Hawkins Ave., Sanford, NC 27330 • (919) 566-8000  
10951 West Los Angeles Ave., Moorpark, CA 93021 • (805) 553-5000  
Visit us on the Internet at: [www.pentairpool.com](http://www.pentairpool.com) or [www.staritepool.com](http://www.staritepool.com)



## Section I. Installing light fixture during new pool construction

A. The electrician must complete preparatory steps before light fixture is installed; see Figure 1.

1. Verify that the pool meets the requirements of the current National Electrical Code and all local codes and ordinances. A licensed or certified electrician must install the electrical system to meet or exceed those requirements before the underwater light is installed.



2. To be certain that the pool's electrical system meets all applicable requirements, the electrician should also consult the local building department.
3. Use only Pentair Water Pool and Spa wet niches to insure proper bonding connections and minimize risk of corrosion.
4. The connection box or Junction Box must be rated IP54 minimum. The terminal block shall conform to EN 60998-2-1 and/or EN 60998-2-2 and should be rated for 2.5mm<sup>2</sup> wires.

B. Steps to perform after the electrical system requirements are met.

1. Feed cord through conduit to Junction Box, leaving at least 4 feet of cord at the light fixture to coil around the light; see Figure 1. This 4 feet of cord around the light allows the light to be serviced after the pool is filled with water.
2. Cut the cord at the Junction Box, leaving at least 6 inches of cord to make connections.
3. Strip 6 inches of the outer cord jacket to expose the two insulated wires--be careful not to damage the insulation on the two inner wires.
4. Connect both wires to the corresponding circuit wires in the Junction Box and secure the Junction Box cover in place.

### **⚠ WARNING**

Never operate this underwater light for more than 10 seconds unless it is totally submerged in water. Without total submersion, the light assembly will get extremely hot, which may result in serious burns or in breakage of the lamp or lens. This may result in serious injury to pool users, installers, or bystanders, or in damage to property.

5. Replace the light assembly into niche and tighten special pilot screw.

### **⚠ WARNING**

Use only the special pilot screw provided with this underwater light. This screw mounts and electrically grounds the housing securely to the mounting ring and wet niche. Failure to use the screw provided could create an electrical hazard which could result in death or serious injury to pool users, installers or others due to electrical shock.

6. Fill the pool until the underwater light is completely submerged in water before operating the light for more than 10 seconds. Turn on main switch or circuit breaker, as well as the switch which operates the underwater light itself, to check for proper operation.

## Section II. Replacing light fixture in existing pool

### **DANGER**

#### **Risk of Electrical Shock or Electrocutation.**



This underwater light must be installed by a licensed or certified electrician or a qualified pool serviceman in accordance with the National Electrical Code and all applicable local codes and ordinances. Improper installation will create an electrical hazard which could result in death or serious injury to pool users, installers or others due to electrical shock, and may also cause damage to property.

Always disconnect the power to the pool light at the circuit breaker before servicing the light. Failure to do so could result in death or serious injury to serviceman, pool users or others due to electrical shock.

#### A. Before replacing the light fixture.

1. Verify that the pool meets the requirements of the current National Electrical Code and all local codes and ordinances. A licensed or certified electrician must install the electrical system to meet or exceed those requirements before the underwater light is installed.
2. To be certain that the pool's electrical system meets all applicable requirements, the electrician should also consult the local building department.
3. Use only Pentair Water Pool and Spa wet niches to insure proper bonding connections and minimize risk of corrosion.
4. The connection box or Junction Box must be rated IP54 minimum. The terminal block shall conform to EN 60998-2-1 and/or EN 60998-2-2 and should be rated for 2.5mm<sup>2</sup> wires.

#### B. Replacing the light fixture after electrical system requirements are met.

### **WARNING**

Failure to bring the pool's electrical system up to code requirements before installing the underwater light will create an electrical hazard which could result in death or serious injury to pool users, installers, or others due to electrical shock, and may also cause damage to property.

1. Turn off main electrical switch or circuit breaker, as well as the switch which operates the underwater light itself.
2. To remove the light assembly, remove the special pilot screw at top of the face ring, remove the light assembly from the niche, and place the assembly on the deck.

### **WARNING**

Be sure to keep the special pilot screw from this underwater light. This screw mounts and electrically grounds the housing securely to the mounting ring and wet niche. Failure to use the screw provided could create an electrical hazard which could result in death or serious injury to pool users, installers or others due to electrical shock.

3. Remove Junction Box cover, disconnect the light fixture wires, and pull the cord through the conduit.
4. Feed the new light fixture cord through the conduit from the niche to the Junction Box.

### **NOTE**

Depending on the length of the conduit, special tools may be required to pull the cord through the conduit.

5. Leave at least 4 feet of cord to coil around the light fixture; see Figure 1. This 4 feet of cord coiled around the light allows the light to be serviced after the pool is filled with water.
6. Cut the cord at the Junction Box, leaving at least 6 inches of cord to make connections.
7. Strip 6 inches of the outer cord jacket from the cord to expose the two insulated wires--be careful not to damage the insulation on the two inner wires.

8. Connect both wires to the corresponding circuit wires in the Junction Box and secure the Junction Box cover in place.

**⚠ WARNING**

Use only the special pilot screw provided with this underwater light. This screw mounts and electrically grounds the housing securely to the mounting ring and wet niche. Failure to use the screw provided could create an electrical hazard which could result in death or serious injury to pool users, installers or others due to electrical shock.

9. Replace light assembly into niche and tighten special pilot screw.

**⚠ WARNING**

Never operate this underwater light for more than 10 seconds unless it is totally submerged in water. Without total submersion, the light assembly will get extremely hot, which may result in serious burns or in breakage of the lamp or lens. This may result in serious injury to pool users, installers, or bystanders, or in damage to property.

10. Fill the pool until the underwater light is completely submerged in water before operating the light for more than 10 seconds. Turn on main switch or circuit breaker, as well as the switch which operates the underwater light itself, to check for proper operation.

**Section III. Replacing a lamp only**

**⚠ DANGER**



Always disconnect power to the pool light at the circuit breaker before servicing the light. Category "C" luminare must be completely removed from water for replacement of lamps. Failure to do so could result in death or serious injury to installer, serviceman, pool users or others due to electrical shock.

- A. Turn off main electrical switch or circuit breaker, as well as the switch which operates the underwater light itself.
- B. You will need the following items:
  1. A new lens gasket (part number 79108500).
  2. One lamp: 71W 12V MR16 GX5.3.

**NOTE**

Transformer required on 12 volt models.

**⚠ WARNING**

Replace lamp with a similar type and wattage. Failure to replace lamp with the same type of lamp will damage the light assembly and may cause an electrical hazard resulting in death or serious injury to pool users, installers, or others due to electrical shock, and may also cause damage to property.

**⚠ WARNING**

Always install a new lens gasket (part number 79108500) whenever disassembling the light. Failure to do so may permit water to leak into the assembly which could cause:

- (a) An electrical hazard resulting in death or serious injury to pool users, installers, or others due to electrical shock.; or,
- (b) breakage of the lamp or lens, which likewise could result in serious injury to pool users, installers, or bystanders, or in damage to property.

- C. To remove light assembly, remove the special pilot screw at top of face ring, remove light assembly from niche, and place assembly on deck.

## **⚠ WARNING**

Be sure to keep the special pilot screw from this underwater light. This screw mounts and electrically grounds the housing securely to the mounting ring and wet niche. Failure to use the screw provided could create an electrical hazard which could result in death or serious injury to pool users, installers or others due to electrical shock.

- D. Disassemble light fixture and remove bulb. Remove and discard old gasket.
- E. Install new gasket during reassembly of light, Pentair Water Pool and Spa part number 79108500.

## **⚠ WARNING**

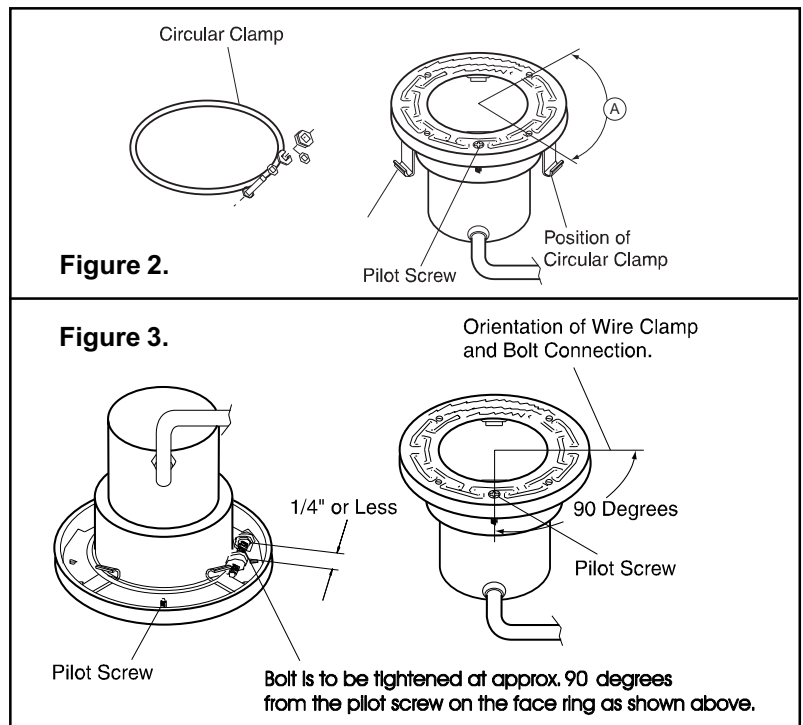
Never operate the underwater light for more than 10 seconds unless it is totally submerged in water. Without total submersion, the light assembly will get extremely hot and may result in serious burns or in breakage of the lamp or lens. This may result in serious injury to pool users, installers, or bystanders, or in damage to property.

- F. With the light resting on its base, place the gasket on top of the light shell. A **NEW LENS GASKET MUST BE USED EACH TIME THE LIGHT IS REASSEMBLED**. Locate the word "TOP" on the lens surface. Align the pilot screw on the face ring with the letter "O" in the word "TOP" and the arrow on the label marked, "Arrow on this label must line up with the pilot screw on the face ring."
- G. The semi-assembled light will now include the face ring and its new gasket properly aligned with the light shell. Place this light upside down on the old gasket, using the old gasket as an assembly fixture. This will keep the lens and gasket assembly from being pushed out of the face ring while you secure it to the light fixture.
- H. Secure the face ring to the light fixture.
  - 1. With the bent ends of the circular uni-tension clamp pointing down spread the clamp and place it in the "U" recesses of the locking levers. Ensure that the bent ends of the clamp are located between the pair of locking levers as shown in Figure 4, location A. Check to see that the clamp is properly engaged with all of the levers; see Figure 2.
  - 2. Hold the ends of the uni-tension clamp together. Insert the bolt through one end of the bend end and then insert the other end through the other bent end and thread the bolt into the nut. Using a #3 Phillips head screwdriver tighten the screw and nut until the distance between the ends of the clamp equals  $\frac{1}{4}$  inch or less, see Figure 3.
- I. Replace the light assembly into the niche and tighten the special pilot screw.

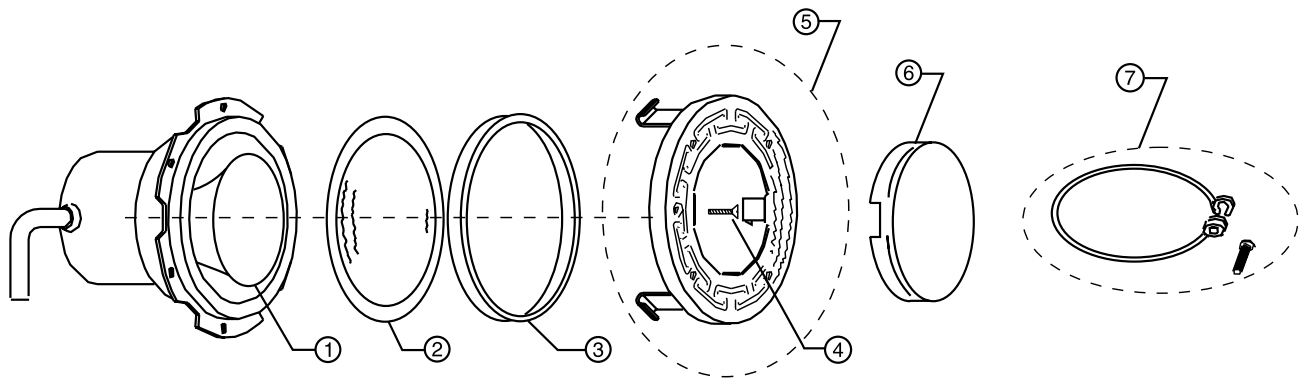
## **⚠ WARNING**

Use only the special pilot screw provided with this underwater light. This screw mounts and electrically grounds the housing securely to the mounting ring and wet niche. Failure to use the screw provided could create an electrical hazard which could result in death or serious injury to pool users, installers or others due to electrical shock.

- J. Fill pool until the underwater light is completely submerged in water before operating the light for more than 10 seconds. Turn on main switch or circuit breaker, as well as the switch which specifically operates the underwater light, to check for proper operation.



## Section IV. Replacement Parts



Item No.	Part No.	Description
1	79112400	Bulb, 75 watt, 12 volt, bi-pole, (AquaLight)
2	79107800	Lens, clear, 4 in. dia., tempered
3	79108500	Gasket, 4 in. dia. lens
4	79104800	Pilot Screw with captive gum washer, brass
4	619355	Pilot Screw with captive gum washer, S/S
5	79111600	Face Ring assy, S/S
6	79108900	Kwik-change color lens, red
6	79109000	Kwik-change color lens, blue
6	650015	Kwik-change color lens, magenta
6	650016	Kwik-change color lens, purple
6	650017	Kwik-change color lens, teal
6	650018	Kwik-change color lens, green
6	650019	Kwik-change color lens pack (5 colors)
7	79210400	Uni-tension wire assy., S/S with welded nut

**SAVE THESE INSTRUCTIONS.**

This page is blank.

**Pentair Water Pool and Spa, Inc.**

1620 Hawkins Ave., Sanford, NC 27330 • (919) 566-8000

10951 West Los Angeles Ave., Moorpark, CA 93021 • (805) 553-5000

*Visit us on the Internet at: [www.pentairpool.com](http://www.pentairpool.com)*



© 2006 Pentair Water Pool and Spa Inc. All rights reserved.

**This document is subject to change without notice.**

**Trademarks and Disclaimers:** *AquaLight* and the *Pentair Pool Products logo* are registered trademarks of Pentair Water Pool and Spa, Inc. Pentair Water Pool and Spa is a trademark of Pentair Water Pool and Spa, Inc. Other trademarks and trade names may be used in this document to refer to either the entities claiming the marks and names or their products. Pentair Water Pool and Spa, Inc. disclaims any proprietary interest in trademarks and trade names other than its own.



## INSTRUCCIONES IMPORTANTES DE SEGURIDAD LEA Y SIGA TODAS LAS INSTRUCCIONES CONSERVE ESTAS INSTRUCCIONES



### Tabla de Contenidos

SECCIÓN I.	Instalación del accesorio para lámpara durante la construcción de una nueva piscina .....	10
SECCIÓN II.	Cambio del accesorio para lámpara en una piscina existente .....	11
SECCIÓN III.	Cambio únicamente de la lámpara .....	12
SECCIÓN IV.	Partes de Repuesto .....	14

### PELIGRO



#### Riesgo de descarga eléctrica o electrocución.

Esta lámpara subacuática debe ser instalada por un electricista con licencia o certificación y de acuerdo con el Código Eléctrico Nacional y todos los códigos y reglamentos locales aplicables. La instalación inadecuada creará un riesgo eléctrico que podría resultar en la muerte o en lesiones graves a los usuarios de la piscina, instaladores u otros debido a una descarga eléctrica, y también podría causar daños a la propiedad. Lea y siga las instrucciones específicas señaladas abajo.

### ADVERTENCIA

Antes de instalar este producto, lea y siga todos los avisos de advertencia y las instrucciones que acompañan a esta lámpara. En caso de no seguir las advertencias e instrucciones de seguridad podría resultar en una lesión severa, la muerte o daños a la propiedad. Comuníquese al (800) 831-7133 en los EE.UU. para obtener copias gratuitas de estas instrucciones.

### Aviso Importante



#### Atención Instalador.

Este manual contiene información importante sobre la instalación, operación y uso seguro de este producto. Esta información debe dársele al dueño/operador de este equipo.

**Pentair Water Pool and Spa, Inc.**

1620 Hawkins Ave., Sanford, NC 27330 • (919) 566-8000

10951 West Los Angeles Ave., Moorpark, CA 93021 • (805) 553-5000

Visítenos por Internet: [www.pentairpool.com](http://www.pentairpool.com) o [www.staritepool.com](http://www.staritepool.com)



**Pentair Water**  
Pool and Spa™

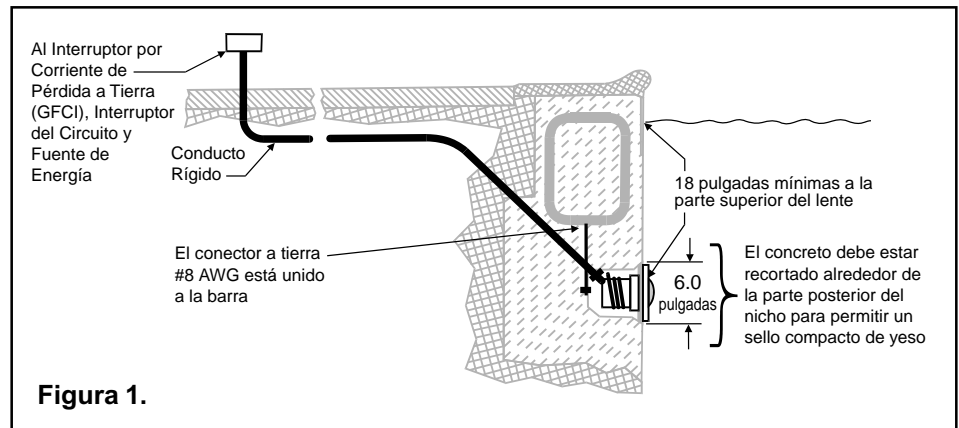
## Sección I. Instalación del accesorio para lámpara durante la construcción de una nueva piscina

A. Los siguientes pasos de preparación tienen que haberse completado por el electricista antes de instalar el accesorio para lámpara. (Vea la figura 1)

1. Verifique que la piscina cumpla con los requisitos del Código Eléctrico Nacional vigente y todos los códigos y reglamentos de la localidad. Un electricista con licencia o certificación es quien tiene que instalar el sistema eléctrico con el fin de cumplir o exceder dichos requisitos antes de instalar la lámpara subacuática.
2. El electricista también deberá consultar con el departamento de construcción local para asegurarse que el sistema eléctrico de la piscina cumple con todos los requisitos aplicables.
3. Sólo use los nichos mojados de Pentair Water Pool and Spa para asegurar una conexión de enlace adecuada y minimizar el riesgo de corrosión.
4. La caja de conexión deberá tener un mínimo de IP54. El bloque del Terminal conformará un EN 60998-2-1 y/o EN 60998-2-2 y deberá tener un alambre de 2.5mm<sup>2</sup>.

B. Pasos que deben realizarse después de que se haya cumplido con los requisitos del sistema eléctrico.

1. Alimente el cordón a través del conducto hacia la Caja de Empalmes, dejando por lo menos 4 pies de cordón en el accesorio para enrollar alrededor de la lámpara; vea la figura 1. Estos 4 pies de cordón alrededor de la lámpara, permitirán que se pueda hacer una revisión después de que se llene de agua la piscina.
2. Corte el cordón en la caja de empalmes, dejando por lo menos 6 pulgadas de cordón para hacer las conexiones.
3. Pele 6 pulgadas de la envoltura externa del cordón para poner al descubierto los dos alambres aislados — tenga cuidado de no dañar el aislante de los dos alambres internos.
4. Conecte ambos alambres a los alambres correspondientes en el circuito en la caja de empalmes y asegure la cubierta de la caja de empalmes en su lugar.



### **⚠ ADVERTENCIA**

Nevera encienda esta lámpara subacuática por más de 10 segundos a menos que esté completamente sumergida en el agua. Si no está totalmente sumergida, el ensamblaje de la lámpara se pondrá sumamente caliente, lo cual podría causar quemaduras graves o la rotura de la lámpara o lente. Esto a su vez podría causar lesiones graves a los usuarios de la piscina, instaladores, o personas que se encuentren cerca o daños a la propiedad.

5. Vuelva a colocar el ensamblaje de la lámpara en el nicho y ajuste el tornillo piloto especial.

### **⚠ ADVERTENCIA**

Use solamente el tornillo piloto especial provisto con esta lámpara subacuática. Este tornillo monta y conecta eléctricamente la caja protectora al aro de montaje y al nicho mojado en forma segura. En caso de que no se use el tornillo provisto podría causar un peligro eléctrico que a su vez podría resultar en la muerte o lesión grave a los usuarios de la piscina, instaladores u otros debido a una descarga eléctrica.

6. Llene la piscina hasta que la lámpara subacuática esté completamente sumergida en el agua antes de encender la luz durante más de 10 segundos. Encienda el interruptor principal o de circuito, así como también el interruptor que hace funcionar la lámpara subacuática en sí, para verificar que esté funcionando adecuadamente.

## Sección II. Cambio del accesorio para lámpara en una piscina existente

### PELIGRO



#### Riesgo de descarga eléctrica o electrocución

Esta lámpara subacuática debe ser instalada por un electricista con licencia o certificación o un técnico de piscina calificado y de acuerdo con el Código Eléctrico Nacional (EE.UU.) y todos los códigos y reglamentos locales aplicables. La instalación inadecuada creará un riesgo eléctrico que podría resultar en la muerte o en lesiones graves a los usuarios de la piscina, instaladores u otros debido a una descarga eléctrica, y también podría causar daños a la propiedad. Siempre desconecte la energía eléctrica de la luz de la piscina en el interruptor de circuito antes de revisar la lámpara. En caso de no hacerlo podría resultar en la muerte o en lesiones graves al técnico que esté haciendo la revisión, usuarios de la piscina u otros debido a una descarga eléctrica.

#### A. Antes de cambiar el accesorio para lámpara.

1. Verifique que la piscina cumpla con los requisitos del Código Eléctrico Nacional vigente y todos los códigos y reglamentos de la localidad. Un electricista con licencia o certificación es quien tiene que instalar el sistema eléctrico con el fin de cumplir o exceder dichos requisitos antes de instalar la lámpara subacuática.
2. El electricista también deberá consultar con el departamento de construcción local para asegurarse que el sistema eléctrico de la piscina cumple con todos los requisitos aplicables.
3. Sólo use los nichos los nichos mojados de Pentair Water Pool and Spa para asegurar una conexión de enlace adecuada y minimizar el riesgo de corrosión.
4. La caja de conexión deberá tener un mínimo de IP54. El bloque del Terminal conformará un EN 60998-2-1 y/o EN 60998-2-2 y deberá tener un alambre de 2.5mm<sup>2</sup>.

#### B. Cambio del accesorio para lámpara después de haberse cumplido con los requisitos del sistema eléctrico.

### ADVERTENCIA

En caso de que el sistema eléctrico de la piscina no cumpla con los requisitos del código antes de instalar la lámpara subacuática creará un peligro eléctrico que podría resultar en la muerte o en una lesión grave a los usuarios de la piscina, instaladores u otros debido a una descarga eléctrica, y también podría causar daños a la propiedad.

1. Apague el interruptor eléctrico principal o el interruptor del circuito, así como también el interruptor que opera la lámpara subacuática en sí.
2. Para remover el ensamblaje de la lámpara, remueva el tornillo piloto especial que está en la parte de arriba de la carátula del aro, remueva el ensamblaje de la lámpara del nicho y póngalo en el piso.

### ADVERTENCIA

segúrese de conservar el tornillo piloto especial de esta lámpara subacuática. Este tornillo monta y conecta eléctricamente la caja protectora al aro de montaje y al nicho mojado en forma segura. En caso de que no se use el tornillo provisto podría causar un peligro eléctrico que a su vez podría resultar en la muerte o lesión grave a los usuarios de la piscina, instaladores u otros debido a una descarga eléctrica.

3. Remueva la cubierta de la caja de empalmes, desconecte los alambres del accesorio para lámpara, y tire del cordón a través del conducto.
4. Pase el nuevo cordón del accesorio para lámpara a través del conducto desde el nicho hasta la caja de empalmes.

### NOTA

Dependiendo de la longitud del conducto, podrían requerirse herramientas especiales para tirar del cordón a través del conducto.

5. Deje por lo menos 4 pies de cordón para enrollarlo alrededor del accesorio de la lámpara. (Vea la figura 1.) Estos 4 pies de cordón enrollado alrededor del accesorio de la lámpara permitirá que se pueda hacer una revisión a dicha lámpara después de que se llene de agua la piscina.
6. Corte el cordón en la caja de empalmes, dejando por lo menos 6 pulgadas de cordón para hacer las conexiones.
7. Pele 6 pulgadas del cordón externo para exponer los dos cables de aislamiento – tenga cuidado de no dañar el aislamiento en los dos cables internos.

8. Conecte ambos cables con el circuito de cables correspondiente en la caja de empalme y asegure la cubierta de la caja de empalmes en su sitio.

### **ADVERTENCIA**

Use solamente el tornillo piloto especial provisto con esta lámpara subacuática. Este tornillo monta y conecta eléctricamente la caja protectora al aro de montaje y al nicho mojado en forma segura. En caso de que no se use el tornillo provisto podría causar un peligro eléctrico que a su vez podría resultar en la muerte o lesión grave a los usuarios de la piscina, instaladores u otros debido a una descarga eléctrica.

9. Vuelva a colocar el ensamblaje de la lámpara en el nicho y ajuste el tornillo piloto especial.

### **ADVERTENCIA**

Nunca encienda esta lámpara subacuática por más de 10 segundos a menos que esté completamente sumergida en el agua. Si no está totalmente sumergida, el ensamblaje de la lámpara se pondrá sumamente caliente, lo cual podría causar quemaduras graves o la rotura de la lámpara o lente. Esto a su vez podría causar lesiones graves a los usuarios de la piscina, instaladores, o personas que se encuentren cerca o daños a la propiedad.

10. Llene la piscina hasta que la lámpara subacuática esté completamente sumergida en el agua antes de encender la luz durante más de 10 segundos. Encienda el interruptor principal o de circuito, así como también el interruptor que hace funcionar la lámpara subacuática en sí, para verificar que esté funcionando adecuadamente.

### **Sección III. Cambio únicamente de la lámpara**

### **PELIGRO**



Siempre desconecte la energía eléctrica de la luz de la piscina en el interruptor del circuito antes de revisar la lámpara. La Categoría luminaria "C" deberá retirarse completamente del agua para cambiar las lámparas. En caso de no hacerlo podría resultar en la muerte o en lesiones graves del instalador, del técnico que esté haciendo la revisión, usuarios de la piscina u otros debido a una descarga eléctrica.

- A. Apague el interruptor eléctrico principal o el interruptor del circuito, así como también el interruptor que opera la lámpara subacuática en sí.
- B. Necesitará conseguir lo siguientes artículos:
1. Un nuevo empaque de lentes (número de parte 79108500).
  2. Una lámpara: 71W 12V MR16 GX 5.3

### **NOTA**

Se requiere un transformador en modelo de 12 voltios.

### **ADVERTENCIA**

Reemplace la lámpara por otra que sea de tipo y vataje similar. En caso de no reemplazar la lámpara con el mismo tipo de lámpara dañará el ensamblaje de la misma y podría causar un peligro eléctrico que podría resultar en la muerte o lesiones graves a los usuarios de la piscina, instaladores, u otros debido a una descarga eléctrica, y también podría causar daños a la propiedad.

### **ADVERTENCIA**

Siempre instale un nuevo empaque de lentes (número de parte 79108500) cada vez que desmonte la lámpara. En caso de no hacer esto podría permitir que el agua entrase al ensamblaje, lo cual podría causar:

- (a) un peligro eléctrico que podría resultar en la muerte o en una lesión seria a los usuarios de la piscina, instaladores u otros debido a una descarga eléctrica, o
- (b) la ruptura de la lámpara o lente que, de la misma manera, podría resultar en una lesión seria a los usuarios de la piscina, instaladores o personas que se encuentren cerca, o daños a la propiedad.

- C. Para remover el ensamblaje de la lámpara, remueva el tornillo piloto especial que está en la parte de arriba de la carátula del aro, remueva ensamblaje de la lámpara del nicho y póngalo en el piso.place assembly on deck.

## **⚠️ ADVERTENCIA**

Asegúrese de conservar el tornillo piloto especial de esta lámpara subacuática. Este tornillo monta y conecta eléctricamente la caja protectora al aro de montaje y al nicho mojado en forma segura. En caso de que no se use el tornillo provisto podría causar un peligro eléctrico que a su vez podría resultar en la muerte o lesión grave a los usuarios de la piscina, instaladores u otros debido a una descarga eléctrica.

- D. Desmonte el accesorio para lámpara y remueva la bombilla. Remueva y deseche el empaque usado.
- E. Instale un nuevo empaque durante la reinstalación de la lámpara, parte número 79108500 de los productos Pentair Water Pool and Spa.

## **⚠️ ADVERTENCIA**

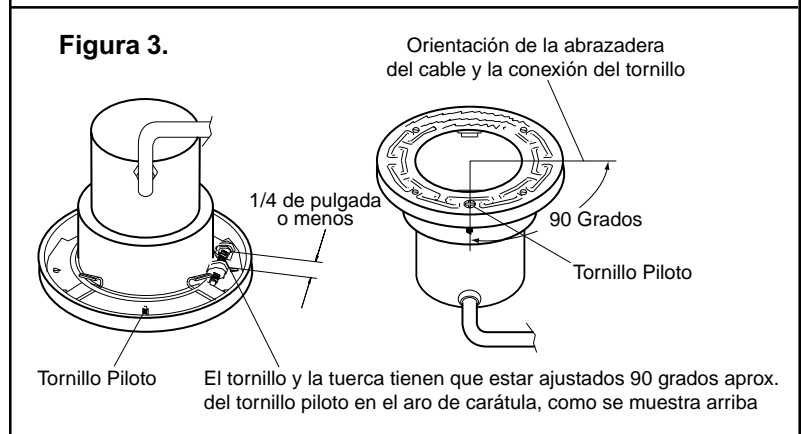
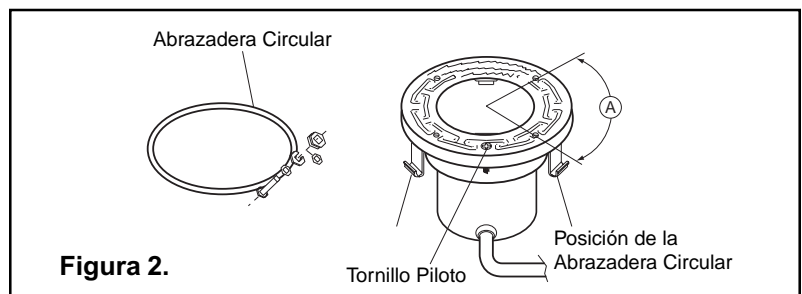
Nunca encienda esta lámpara subacuática por más de 10 segundos a menos que esté completamente sumergida en el agua. Si no está totalmente sumergida, el ensamblaje de la lámpara se pondrá sumamente caliente, lo cual podría causar quemaduras graves o la rotura de la lámpara o lente. Esto a su vez podría causar lesiones graves a los usuarios de la piscina, instaladores, o personas que se encuentren cerca o daños a la propiedad.

- F. Con la lámpara descansando sobre su base, coloque el empaque en la parte de superior del armazón de la lámpara, **SE DEBEN USAR NUEVOS EMPAQUES DE LENTES CADA VEZ QUE SE VUELVA A ENSAMBLAR LA LÁMPARA.** Ubique la palabra “TOP” en la superficie del lente. Alinee el tornillo piloto en el aro de carátula con la letra “O” en la palabra “TOP” y la flecha en la etiqueta marcada, “la flecha en esta etiqueta debe alinearse con el tornillo piloto en el aro de carátula”.
- G. La lámpara semi-ensamblada ahora incluirá el aro de carátula y su nuevo empaque alineado apropiadamente con el armazón de la lámpara. Coloque la lámpara al revés en el empaque antiguo, usando éste como un accesorio de ensamblaje. Esto mantendrá los lentes y el empaque asegurados y evitará que sea empujado fuera del aro de carátula mientras usted lo fija en el accesorio para lámpara.
- H. Asegure el aro de la carátula en el accesorio para lámpara.
  - 1. Con los extremos doblados de la abrazadera circular de uni-tensión apuntando hacia abajo, abra la abrazadera y colóquela en las muescas en “U” de las palancas de bloqueo. Asegúrese de que los extremos doblados de la abrazadera estén colocados entre el par de palancas de bloqueo, como se muestra en la Figura 4, indicación A. Verifique que la abrazadera esté correctamente enganchada con todas las palancas; vea la Figura 2.
  - 2. Sostenga los extremos de la abrazadera uni-tensión juntas. Inserte el tornillo a través de uno de los extremos de la curva y entonces inserte el otro extremo a través del otro extremo de la curva y ensarte el tornillo en la tuerca. Usando un desarmador Phillips #3 ajuste el tornillo y tuerca hasta que la distancia ente los extremos de la abrazadera sea igual a 1/4 de pulgada o menos, vea la Figura 3.
- I. Reemplace el ensamblaje de la lámpara en el nicho y ajuste el tornillo piloto especial.

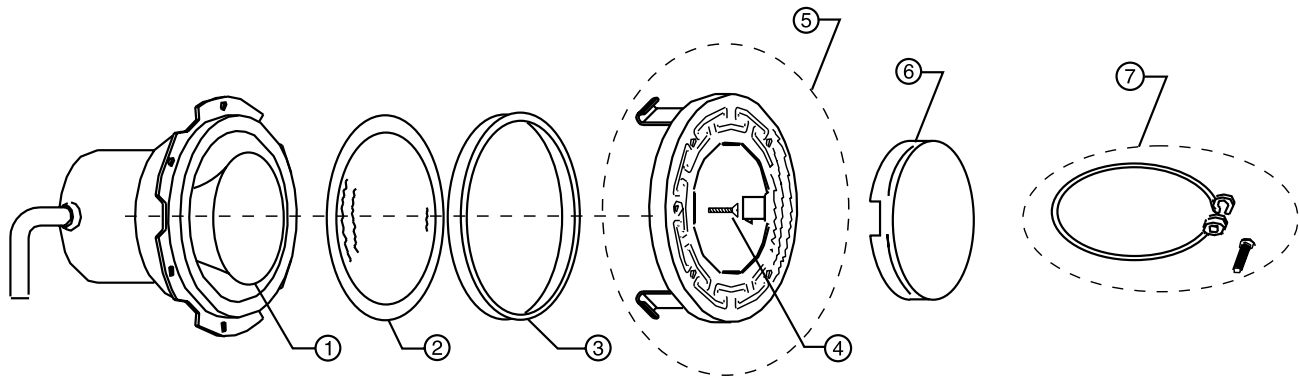
## **⚠️ ADVERTENCIA**

Use sólo el tornillo piloto especial provisto con esta lámpara subacuática. Este tornillo monta y conecta eléctricamente la caja protectora al aro de montaje y al nicho mojado en forma segura. En caso de que no se use el tornillo provisto podría causar un peligro eléctrico que a su vez podría resultar en la muerte o lesión grave a los usuarios de la piscina, instaladores u otros debido a una descarga eléctrica.

- J. Llene la piscina hasta que la lámpara subacuática esté completamente sumergida en el agua antes de encender la luz durante más de 10 segundos. Encienda el interruptor principal o de circuito, así como también el interruptor que hace funcionar la lámpara subacuática en sí, para verificar que esté funcionando adecuadamente.



## Sección IV. Partes de Repuesto



Nº. de Art	Nº. de Parte	Descripción
1	79112400	Bombilla, 75 vatios, 12 voltios, bipolar (AquaLight)
2	79107800	Lentes, transparentes, 4 pulgadas de diámetro, temperadas
3	79108500	Empaque, 4 pulgadas de diámetro
4	79104800	Tornillo piloto con arandela de caucho adhesivo, bronce
4	619355	Tornillo piloto con arandela de caucho adhesivo, S/S
5	79111600	Aro de carátula aislante, S/S
6	79108900	Lentes de color kwik-change, rojo
6	79109000	Lentes de color kwik-change, azul
6	650015	Lentes de color kwik-change, magenta
6	650016	Lentes de color kwik-change, morado
6	650017	Lentes de color kwik-change, verde azulado
6	650018	Lentes de color kwik-change, verde
6	650019	Paquete de lentes de color kwik-change, 5 colores
7	79210400	Cable aislante uni-tensión, S/S con tuerca soldada

**CONSERVE ESTAS INSTRUCCIONES.**

Esta pagina ha sido dejada intencionalmente en blanco.

**Pentair Water Pool and Spa, Inc.**

1620 Hawkins Ave., Sanford, NC 27330 • (919) 566-8000

10951 West Los Angeles Ave., Moorpark, CA 93021 • (805) 553-5000

Visítenos por Internet: [www.pentairpool.com](http://www.pentairpool.com) o [www.staritepool.com](http://www.staritepool.com)



© 2006 Pentair Water Pool and Spa Inc. Todos los derechos reservados.

Este documento está sujeto a cambio sin previo aviso.

**Marcas Registradas y Descargo de Responsabilidad:** El logo de AquaLight es una marca comerciales registradas de Pentair Water Pool and Spa, Inc. El logo de Pentair Water Pool and Spa es una marca comercial de Pentair Water Pool and Spa, Inc. Otras marcas y nombres comerciales pueden ser usados en este documento para referirse a cualquiera de las entidades que reclamen las marcas y nombres de sus productos. Pentair Water Pool and Spa, Inc. renuncia a cualquier interés de propiedad en marcas o nombres comerciales que no sean los suyos.



# Notice d'emploi des lampes immergées AquaLight®

**IMPORTANTES INFORMATIONS RELATIVES À LA SÉCURITÉ**  
*LIRE ET SUIVRE LA TOTALITÉ DES INSTRUCTIONS*  
**CONSERVER CES INSTRUCTIONS**



## Table des matières

SECTION I.	Installation du dispositif d'éclairage pendant la construction d'une nouvelle piscine .....	18
SECTION II.	Remplacement du dispositif d'éclairage d'une piscine existante .....	19
SECTION III.	Remplacement d'une ampoule uniquement .....	20
SECTION IV.	Pièces de rechange .....	22

### **DANGER**



#### **Risque de choc électrique ou d'électrocution**

Cette lampe immergée doit être installée par un électricien agréé ou certifié, conformément au Code Électrique National (National Electrical Code) et toutes normes locales ou ordonnances. Une installation inappropriée créera un danger électrique qui peut occasionner le décès ou de graves blessures aux utilisateurs de la piscine, à l'installateur, ou à d'autres personnes par suite d'un choc électrique, et peut également causer des dommages aux biens. Lire et suivre les instructions précises ci-dessous.

### **ADVERTISSEMENT**

Avant d'installer ce produit, lire et suivre tous les avertissements et instructions accompagnant cette lampe. Un manquement au bon suivi des avertissements et des instructions peut provoquer des blessures graves, le décès, ou des dommages aux biens. Appeler le (800) 831-7133 – USA pour obtenir des copies gratuites supplémentaires de ces instructions.

### **Avis Important**



À l'attention de l'installateur :

Ce manuel contient des renseignements importants concernant l'installation, l'utilisation et la sécurité d'utilisation de ce produit. Cette information doit être fournie au propriétaire et/ou exploitant de ce matériel.

#### **Pentair Water Pool and Spa, Inc.**

1620 Hawkins Ave., Sanford, NC 27330 • (919) 566-8000

10951 West Los Angeles Ave., Moorpark, CA 93021 • (805) 553-5000

Visitez notre site Internet sur : [www.pentairpool.com](http://www.pentairpool.com) ou [www.staritepool.com](http://www.staritepool.com)

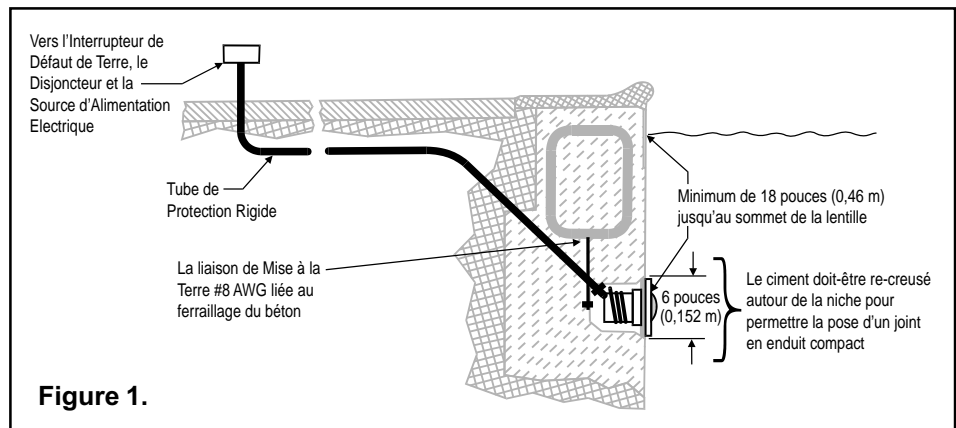


**Pentair Water**  
Pool and Spa™

## Section I. Installation du dispositif d'éclairage pendant la construction d'une nouvelle piscine

A. Etapes préparatoires devant être complétées par un électricien avant que le dispositif d'éclairage ne soit installé ; voir Figure 1.

1. Vérifier que la piscine est conforme aux normes du Code Electrique National (National Electrical Code) et toutes normes locales ou ordonnances. Un électricien agréé ou certifié doit procéder à l'installation du système électrique de façon à satisfaire ou dépasser ces normes, avant que la lampe immergée ne soit installée.



2. Pour être certain que le dispositif d'éclairage de la piscine satisfasse la totalité des normes applicables, l'électricien devra également consulter le service de construction local.

3. N'utiliser que les niches immergées de Pentair Water Pool and Spa pour assurer une liaison électrique satisfaisante des raccordements et minimiser le risque de corrosion.

4. Les boîtes de raccordement ou les boîtes de jonction doivent être classées IP54 au minimum. Les terminaux de raccordement doivent se conformer au EN 60998-2-1 et/ou EN 60998-2-2 et doivent être homologués pour des conducteurs de 2.5 mm<sup>2</sup>.

B. Remplacement du dispositif d'éclairage après que les spécifications du circuit électrique soient rendues conformes.

1. Passer le câble par le tube protecteur vers la boîte de jonction, en enroulant au moins 4 pieds (1.22 m) de câble autour de la lampe; voir Figure 1. Ces 4 pieds (1.22 m) de câble enroulés autour de la lampe permettent d'intervenir sur cette lampe une fois la piscine remplie d'eau.

2. Couper le câble au niveau de la boîte de jonction, en laissant au moins 6 pouces (15 cm) de câble pour effectuer les connexions.

3. Dénuder 6 pouces (15 cm) de la gaine extérieure du câble afin de mettre à nu les deux conducteurs isolés – prendre soin de ne pas endommager l'isolant des deux conducteurs internes.

4. Raccorder les deux conducteurs au fils des circuits correspondants de la boîte de jonction et bien mettre le couvercle de cette boîte de jonction en place.

### **AVERTISSEMENT**

Ne jamais faire fonctionner cette lampe immergée pendant plus de 10 secondes, à moins qu'elle ne soit totalement sous l'eau. A défaut d'être totalement submergée, le dispositif d'éclairage attendra une température extrêmement élevée, pouvant provoquer des brûlures graves ou la casse de la lampe ou de la lentille. Ceci peut entraîner de graves blessures aux utilisateurs de la piscine, aux installateurs, aux personnes environnantes, ou des dommages aux biens.

5. Replacer le dispositif d'éclairage dans la niche et serrer la vis guide spéciale.

### **AVERTISSEMENT**

Utiliser uniquement la vis guide fournie avec cette lampe immergée. Cette vis permet un assemblage sûr, en même temps qu'elle raccorde à la terre le boîtier avec l'anneau de montage et la niche immergée. Ne pas utiliser la vis fournie peut créer un danger électrique pouvant entraîner le décès ou de graves blessures aux utilisateurs de la piscine, aux installateurs, ou d'autres personnes par suite d'un choc électrique.

6. Remplir la piscine jusqu'à ce que la lampe immergée soit complètement sous l'eau avant d'allumer la lampe pendant plus de 10 secondes. Enclencher l'interrupteur principal ou le disjoncteur, de même que l'interrupteur alimentant la lampe immergée elle-même, de façon à vérifier son bon fonctionnement.

## Section II. Remplacement du dispositif d'éclairage sur une piscine existante

### DANGER



#### Risque de Choc Electrique ou d'Electrocution

Cette lampe immergée doit être installée par un électricien agréé ou certifié, conformément au Code Electrique National (National Electrical Code) et toutes normes locales ou ordonnances. Une installation inappropriée créera un danger électrique qui peut occasionner le décès ou de graves blessures aux utilisateurs de la piscine, à l'installateur, ou d'autres personnes par suite d'un choc électrique, pouvant également causer des dommages aux biens.

Veillez à toujours couper l'alimentation électrique de la lampe de la piscine au niveau du disjoncteur avant d'intervenir sur cette lampe. Le non-respect de cette consigne peut entraîner le décès ou de graves blessures à l'installateur, les utilisateurs de la piscine ou toute autre personne par suite du choc électrique.

#### A. Avant de remplacer le dispositif d'éclairage.

1. Vérifier que la piscine soit conforme aux normes du Code Electrique National (National Electrical Code) et toutes normes locales ou ordonnances. Un électricien agréé ou certifié doit procéder à l'installation du système électrique de façon à satisfaire ou dépasser ces normes avant que la lampe immergée ne soit installée.
2. Pour être certain que le dispositif d'éclairage de la piscine satisfasse la totalité des normes applicables, l'électricien devra également consulter le service de construction local.
3. N'utiliser que les niches immergées de Pentair Water Pool and Spa pour assurer une liaison électrique satisfaisante des raccordements et minimiser le risque de corrosion.
4. Les boîtes de raccordement ou les boîtes de jonction doivent être classées IP54 au minimum. Les terminaux de raccordement doivent se conformer au EN 60998-2-1 et/ou EN 60998-2-2 et doivent être homologués pour des conducteurs de 2.5 mm<sup>2</sup>.

#### B. Remplacement du dispositif d'éclairage après satisfaction des exigences du circuit électrique.

### AVERTISSEMENT

Un non-respect de la mise en aux normes du circuit électrique de la piscine avant l'installation de la lampe immergée occasionnera un danger électrique et peut entraîner le décès ou de graves blessures aux utilisateurs de la piscine, à l'installateur, ou d'autres personnes par suite d'un choc électrique, pouvant aussi endommager les biens.

1. Mettre hors service l'interrupteur ou le disjoncteur principal, de même que l'interrupteur alimentant la lampe immergée elle-même.
2. Pour retirer le dispositif d'éclairage, démonter la vis guide spéciale située en haut de l'anneau de façade, retirer le dispositif d'éclairage de la niche, et placer l'ensemble sur la terrasse.

### AVERTISSEMENT

Assurez-vous de conserver la vis guide de cette lampe immergée. Cette vis permet un assemblage sûr, en même temps qu'elle raccorde à la terre le boîtier avec l'anneau de montage ainsi que la niche immergée. Ne pas utiliser la vis fournie peut occasionner un danger électrique pouvant entraîner le décès ou de graves blessures aux utilisateurs de la piscine, aux installateurs, ou d'autres personnes par suite d'un choc électrique.

3. Retirer le couvercle de la boîte de jonction, déconnecter les fils du dispositif d'éclairage, et tirer le câble à travers le tube protecteur.
4. Passer le câble du nouveau système d'éclairage par le tube protecteur depuis la niche humide vers la boîte de raccordement.

### REMARQUE

Suivant la longueur du tube protecteur, il peut être nécessaire d'avoir recours à des outils spéciaux pour passer le câble par le tube protecteur.

5. Laisser au moins 4 pieds (1.22 m) de câble à enrouler autour du dispositif d'éclairage ; voir Figure 1. Ces 4 pieds de câble enroulés autour de la lampe permettent d'intervenir sur la lampe une fois la piscine remplie d'eau.
6. Couper le câble au niveau de la boîte de jonction, en laissant au moins 6 pouces ( 15 cm) de câble pour réaliser les connections.

7. Dénuder 6 pouces (15 cm) de la gaine extérieure du câble afin de mettre à nu les deux conducteurs isolés – prendre soin de ne pas endommager l'isolant des deux conducteurs internes.
8. Raccorder les deux conducteurs au fils des circuits correspondants de la boîte de jonction, et bien mettre le couvercle de la boîte de jonction en place.

### **AVERTISSEMENT**

Utiliser exclusivement la vis guide fournie avec cette lampe immergée. Cette vis permet un assemblage sûr, en même temps qu'elle raccorde à la terre le boîtier avec l'anneau de montage et la niche immergée. Ne pas utiliser la vis fournie peut occasionner un danger électrique pouvant entraîner le décès ou de graves blessures aux utilisateurs de la piscine, aux installateurs, ou d'autres personnes par suite d'un choc électrique.

9. Remplacer le dispositif d'éclairage dans la niche et serrer la vis guide spéciale.

### **AVERTISSEMENT**

Ne jamais faire fonctionner cette lampe immergée pendant plus de 10 secondes, à moins qu'elle ne soit totalement sous l'eau. A défaut d'être totalement submergé, le dispositif d'éclairage attendra une température extrêmement élevée, pouvant provoquer des brûlures graves ou la casse de la lampe ou de la lentille. Ceci peut entraîner de graves blessures aux utilisateurs de la piscine, aux installateurs, aux personnes environnantes, ou des dommages aux biens.

10. Remplir la piscine jusqu'à ce que la lampe immergée soit complètement sous l'eau avant de faire fonctionner la lampe pendant plus de 10 secondes. Enclencher l'interrupteur principal ou le disjoncteur, de même que l'interrupteur alimentant la lampe sous-marine elle-même, de façon à vérifier son bon fonctionnement.

### **Section III. Remplacement de l'ampoule uniquement**

### **DANGER**



Toujours déconnecter l'alimentation électrique de l'éclairage piscine au niveau du disjoncteur avant d'intervenir sur cette lampe. Les luminaires de catégories « C » doivent être totalement retirés de l'eau pour un remplacement d'ampoule. Le non-respect de cette consigne peut entraîner le décès ou de graves blessures à l'installateur, le technicien d'entretien, les utilisateurs de la piscine ou d'autres personnes par suite d'un choc électrique.

- A. Déclencher l'interrupteur principal ou disjoncteur, de même que l'interrupteur alimentant la lampe immergée elle-même.
- B. Vous aurez besoin de vous procurer les pièces ci-jointes :
  1. Un nouveau joint de lentille (pièce Ref. 79108500).
  2. Une ampoule. 71 W 12V MR16 GX5.3.

### **REMARQUE**

Un transformateur est obligatoire sur les modèles 12 volt.

### **AVERTISSEMENT**

Remplacer l'ampoule par un modèle de type et de puissance similaires. Ne pas remplacer l'ampoule avec le même type d'ampoule endommagera le dispositif d'éclairage et peut causer un danger électrique pouvant entraîner le décès, ou de graves blessures aux utilisateurs de la piscine, aux installateurs, ou à d'autres personnes du fait du choc électrique, pouvant aussi endommager les biens.

### **AVERTISSEMENT**

Toujours installer un nouveau joint de lentille (numéro de pièce 79108500) lors du démontage de la lampe. Un non-respect de cette consigne permet à l'eau de pénétrer à l'intérieur du dispositif, ce qui peut occasionner :

- (a) un danger électrique entraînant le décès ou de graves blessures aux utilisateurs de la piscine, aux installateurs, ou à d'autres du fait du choc électrique ou bien
- (b) un bris de la lampe ou de la lentille, ce qui de la même façon peut causer de graves blessures aux utilisateurs de la piscine, installateurs, personnes environnantes, ou un endommagement des biens.

- C. Pour retirer le dispositif d'éclairage, retirer la vis guide spéciale située au sommet de l'anneau frontal, retirer le dispositif d'éclairage de la niche, et placer le dispositif sur la terrasse.

## **⚠️ AVERTISSEMENT**

Veillez à conserver la vis guide de cette lampe immergée. Cette vis permet un assemblage sûr, en même temps qu'elle raccorde à la terre le boîtier avec l'anneau de montage et la niche immergée. Ne pas utiliser la vis fournie peut occasionner un danger électrique pouvant entraîner le décès ou de graves blessures aux utilisateurs de la piscine, aux installateurs, ou d'autres personnes par suite d'un choc électrique.

D. Démontez l'appareil d'éclairage et retirez l'ampoule. Retirez et jetez l'ancien joint.

E. Installez le nouveau joint pendant le remontage de la lampe, numéro de pièce Pentair Water Pool and Spa 79108500.

## **⚠️ AVERTISSEMENT**

Ne jamais faire fonctionner cette lampe immergée pendant plus de 10 secondes, à moins qu'elle ne soit totalement sous l'eau. À défaut d'être submergé, la température du dispositif d'éclairage deviendra extrêmement élevée, ce qui peut provoquer des brûlures graves ou la casse de la lampe ou de la lentille. Ceci peut entraîner de graves blessures aux utilisateurs de la piscine, aux installateurs, aux personnes environnantes, ou des dommages aux biens.

F. Avec la lampe posée sur sa base, placer le système de joint au dessus du corps de la lampe. **UN NOUVEAU JOINT DE LENTILLE DOIT-ÊTRE UTILISÉ À CHAQUE FOIS QUE LA LAMPE EST RÉASSEMBLÉE.** Repérer le mot « TOP » inscrit sur la surface de la lentille. Aligner la vis guide de l'anneau frontal avec la lettre « O » du mot « TOP » et la flèche de l'étiquette marquée « Arrow on this label must line up with the pilot screw on the face ring. »

G. La lampe partiellement assemblée va maintenant incorporer l'anneau frontal avec son nouveau joint correctement aligné avec le corps de la lampe. Placer la lampe à l'envers sur l'ancien joint, en utilisant celui-ci comme une pièce d'assemblage. Ceci empêchera l'ensemble lentille-joint d'être expulsé de l'anneau frontal pendant que vous le fixez à l'appareil d'éclairage.

H. Fixer l'anneau frontal à l'appareil d'éclairage.

1. Les extrémités recourbées du collier uni-tension étant pointées vers le bas, écarter le collier et le placer dans les encoches en « U » des leviers de verrouillage. Assurez-vous que les extrémités recourbées du collier soient bien placées entre les deux leviers de verrouillage comme indiqué sur la Figure 4, repère A. Vérifier que le collier soit correctement engagé dans tous les autres leviers. Voir figure 2.

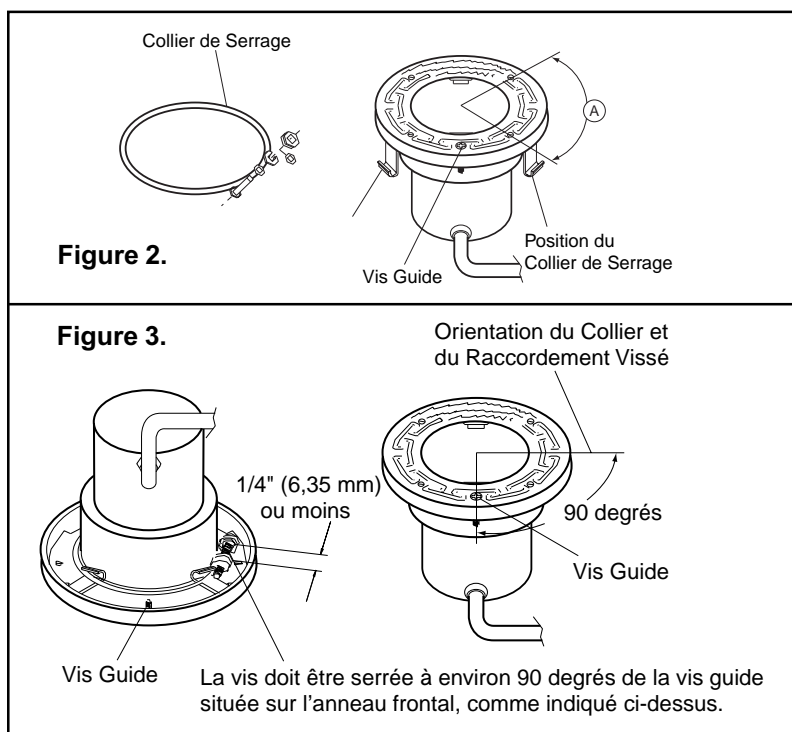
2. Tenir ensemble les extrémités du collier uni-tension. Insérer la vis à travers l'une des extrémités recourbées, puis à travers la deuxième extrémité, puis passer la vis dans l'écrou. En utilisant un tournevis avec une tête Phillips numéro 3, serrer la vis et l'écrou jusqu'à ce que la distance entre les extrémités du collier soit de 1/4" ( 6.35 mm) ou moins. Voir la Figure 3.

I. Replacer le dispositif d'éclairage dans la niche et serrer la vis guide spéciale.

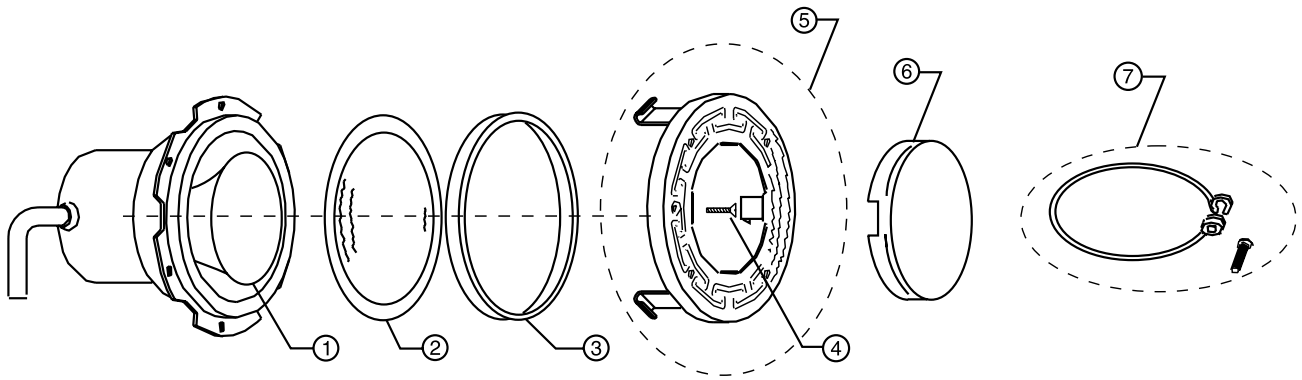
## **⚠️ AVERTISSEMENT**

Utiliser exclusivement la vis guide fournie avec cette lampe immergée. Cette vis permet un assemblage sûr, en même temps qu'elle raccorde à la terre le boîtier avec l'anneau de montage et la niche immergée. Ne pas utiliser la vis fournie peut occasionner un danger électrique pouvant entraîner le décès ou de graves blessures aux utilisateurs de la piscine, aux installateurs, ou d'autres personnes par suite d'un choc électrique.

J. Remplir la piscine jusqu'à ce que la lampe immergée soit complètement dans l'eau avant d'allumer la lampe pendant plus de 10 secondes. Enclencher l'interrupteur ou le disjoncteur principal, de même que l'interrupteur alimentant la lampe immergée elle-même, pour vérifier son bon fonctionnement.



## Section IV. Pièces de Rechange



Article N°	Pièce N°	Description
1	79112400	Ampoule, 75 watts, 12 volts, bipole, (AquaLight)
2	79107800	Lentille, claire, diamètre 4 pouce, verre trempé
3	79108500	Joint, pour glace de 4 pouces
4	79104800	Vis Guide, avec rondelle captive de caoutchouc, bronze
4	619355	Vis Guide, avec rondelle captive de caoutchouc, inox
5	79111600	Ensemble anneau frontal, Inox.
6	79108900	Couvre lentille en plastic Kwik-change, rouge
6	79109000	Couvre lentille en plastic Kwik-change, bleu
6	650015	Couvre lentille en plastic Kwik-change, magenta
6	650016	Couvre lentille en plastic Kwik-change, pourpre
6	650017	Couvre lentille en plastic Kwik-change, sarcelle
6	650018	Couvre lentille en plastic Kwik-change, vert
6	650019	Ensemble de couvre lentilles en plastic Kwik-change, paquet (5 couleurs)
7	79210400	Collier de serrage en fil métallique avec écrou soudé

**CONSERVEZ CES INSTRUCTIONS.**

Page blanche.

**Pentair Water Pool and Spa, Inc.**

1620 Hawkins Ave., Sanford, NC 27330 • (919) 566-8000

10951 West Los Angeles Ave., Moorpark, CA 93021 • (805) 553-5000

Visitez notre site Internet sur : [www.pentairpool.com](http://www.pentairpool.com) ou [www.staritepool.com](http://www.staritepool.com)



© 2006 Pentair Water Pool and Spa Inc. Tous droits réservés.

Ce document est susceptible d'être modifié sans préavis.

**Marque et Avis de Non-Responsabilité :** *AquaLight* est une marque déposée de Pentair Water Pool and Spa, Inc. Le logo de *Pentair Water Pool and Spa* est une marque de Pentair Water Pool and Spa, Inc. D'autres noms marques et commerces peuvent être utilisés dans le présent document en référence à l'une ou l'autre des entités revendiquant les marques et noms de leurs produits. Pentair Water Pool and Spa, Inc. rejette tout intérêt de propriété concernant les marques ou noms commerciaux autres que les siens